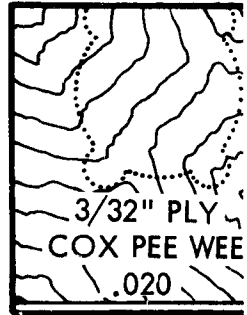
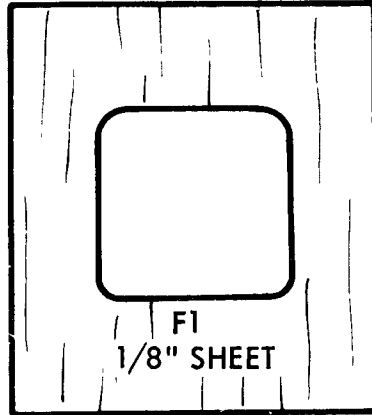


BALSA F

STAB NOTCH FORMS
RUDDER STOPS
DETERMINES "THROW"

3/32" SHEET

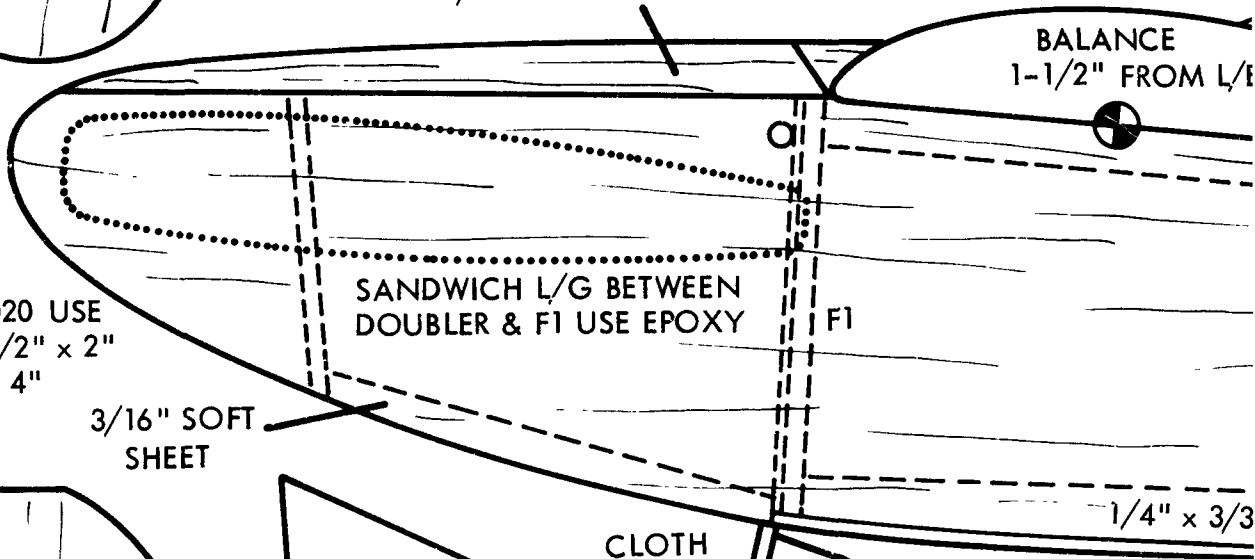


SKAMPY *By: Owen Kampen*

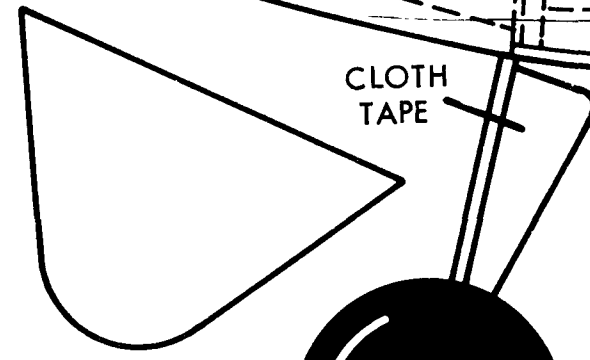
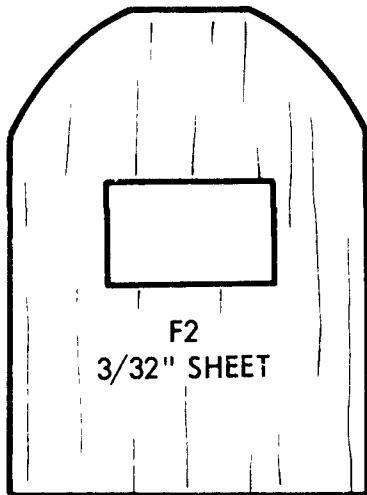
RCM December 1967

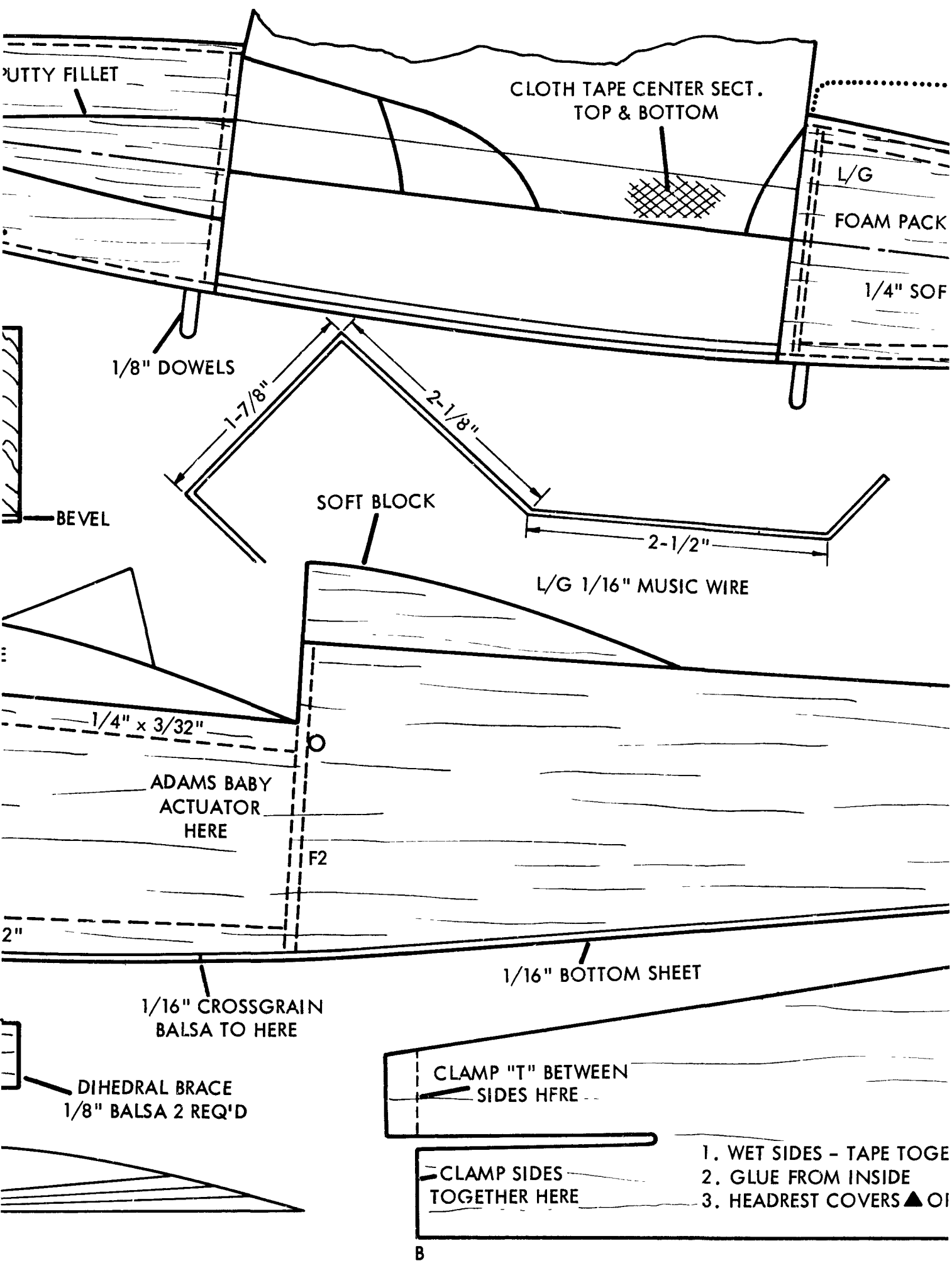
1/4" SOFT SHEET

BALANCE
1-1/2" FROM L/E



FOR PEE WEE .020 USE
COX PROP 4-1/2" x 2"
CUT DOWN TO 4"





CHEEK COWLS
ARE OPTIONAL

1/16" WIRE T/E

1/8"

1/16" PLY OR
1/8" HARD Balsa

BATT. COMP.

3" SHEET TOP

1/8" NOSE
DOUBLERS

BUTT GLUE 3" SHEET

3/32" SHEET

1/16" SHEET

1/32" SHEET BOTT
1/16" SHEET TO

1/4" x 3/32"
RUD. POST

USE
TORQUE
ROD
ONLY

1/16" Balsa

LOOP

1/4" BRACE

CLOTH TAPE

1/16" HARD TAIL
SPREADER

1/16" Balsa

1/16" LAMINATE
EACH SIDE OF T

skamp

25" SPAN 8 OZ

.020 ENGINES

R/C FOR ADAMS "BABY"

DESIGNED BY OWEN

DRAWN BY G. FLC

MEASURE FROM A TO B

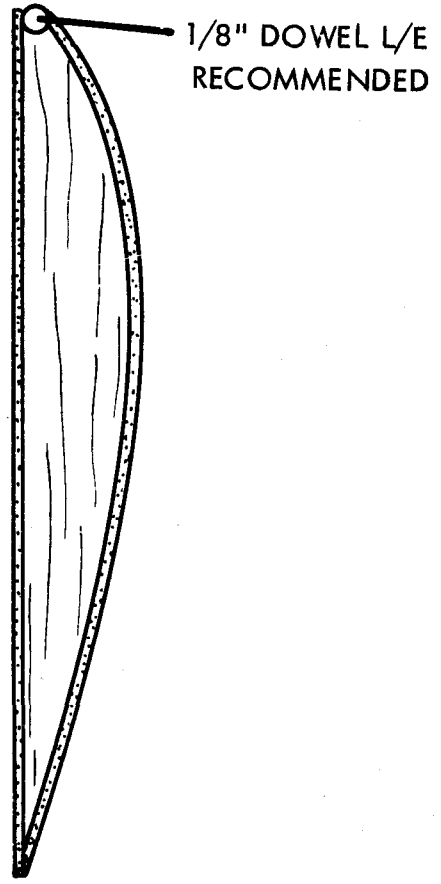
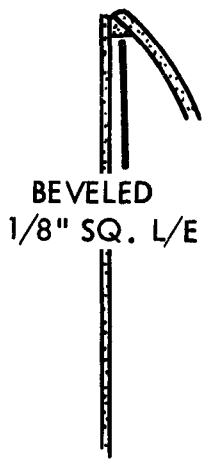
MEASURE OPENING FROM A TO C

A

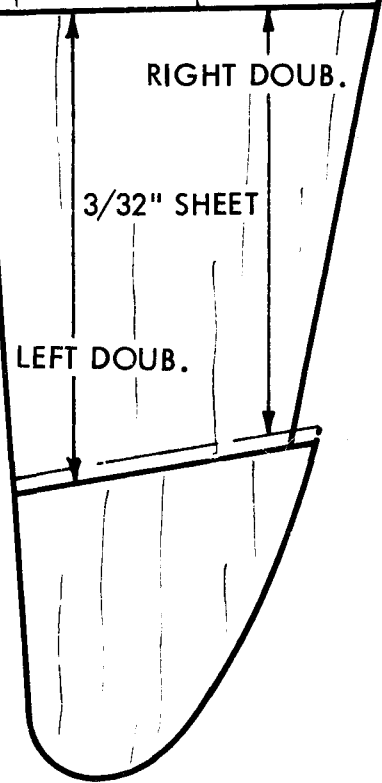
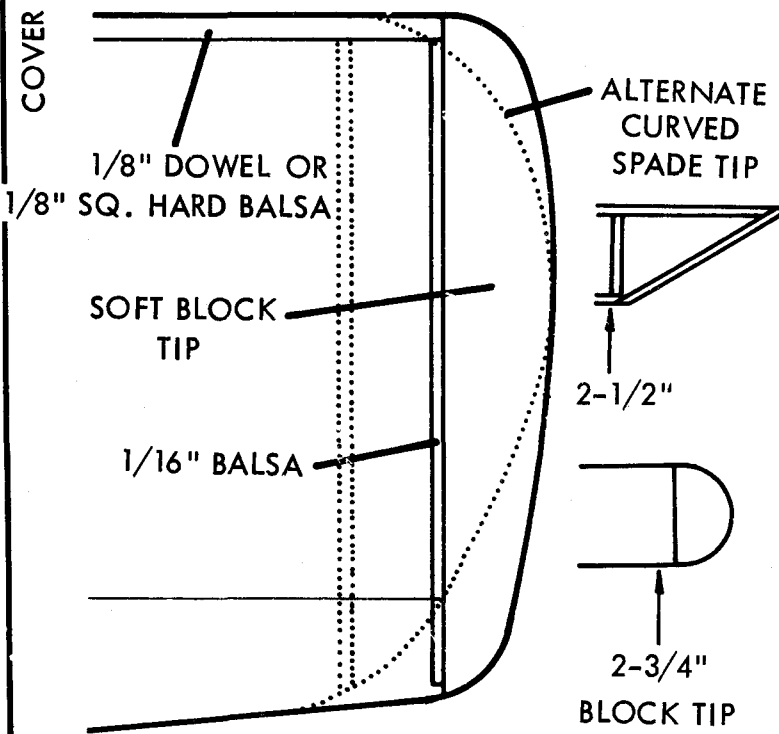
3"

- R/C EQUIPMENT
1. TESTORS 2.4V SUPERHET RCVR.
 2. 2 BUTTON CELLS (NICKEL CADMIUM)
 3. ADAMS 2.4V BABY ACTUATOR
- NOTE: LET ANTENNA TRAIL BEHIND FROM TAIL SKID

COVER LEADING EDGE WITH 3/4" VINYL TAPE AFTER DOPING IS COMPLETE



SIDE PATTERN
1/16" SHEET



TOTAL DIHEDRAL MEASURED AT OUTER RIB