

Fig 10

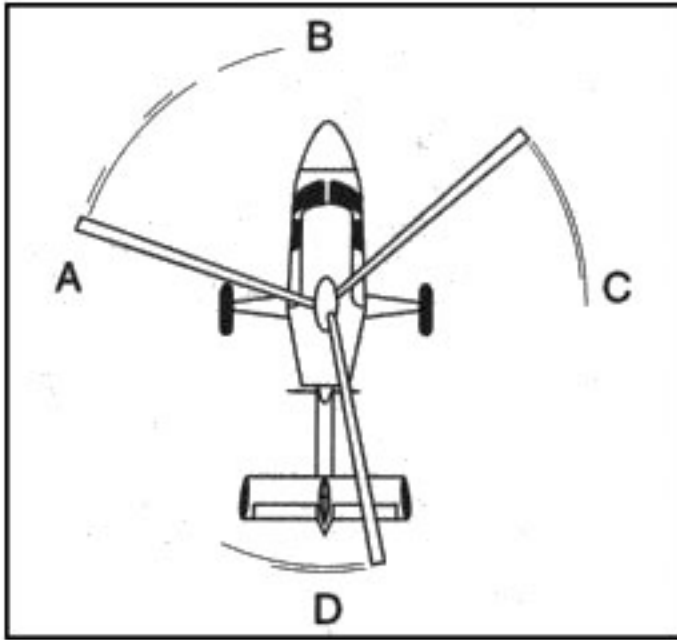


Fig 37A



CENTER OF GRAVITY ENVELOPE

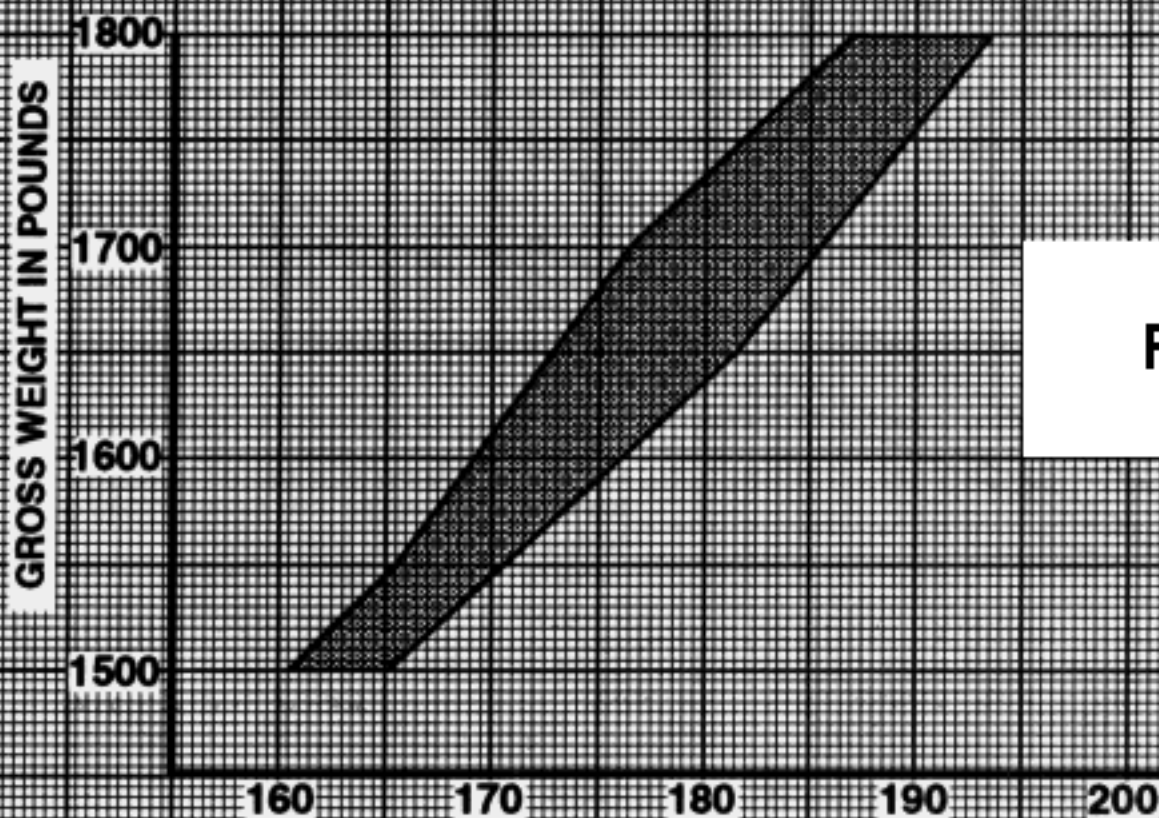


Fig 37

GROSS MOMENT IN THOUSANDTHS OF IN-LB

Both the gross weight and the gross weight moment must fall within the above envelope.

LOADING GRAPH

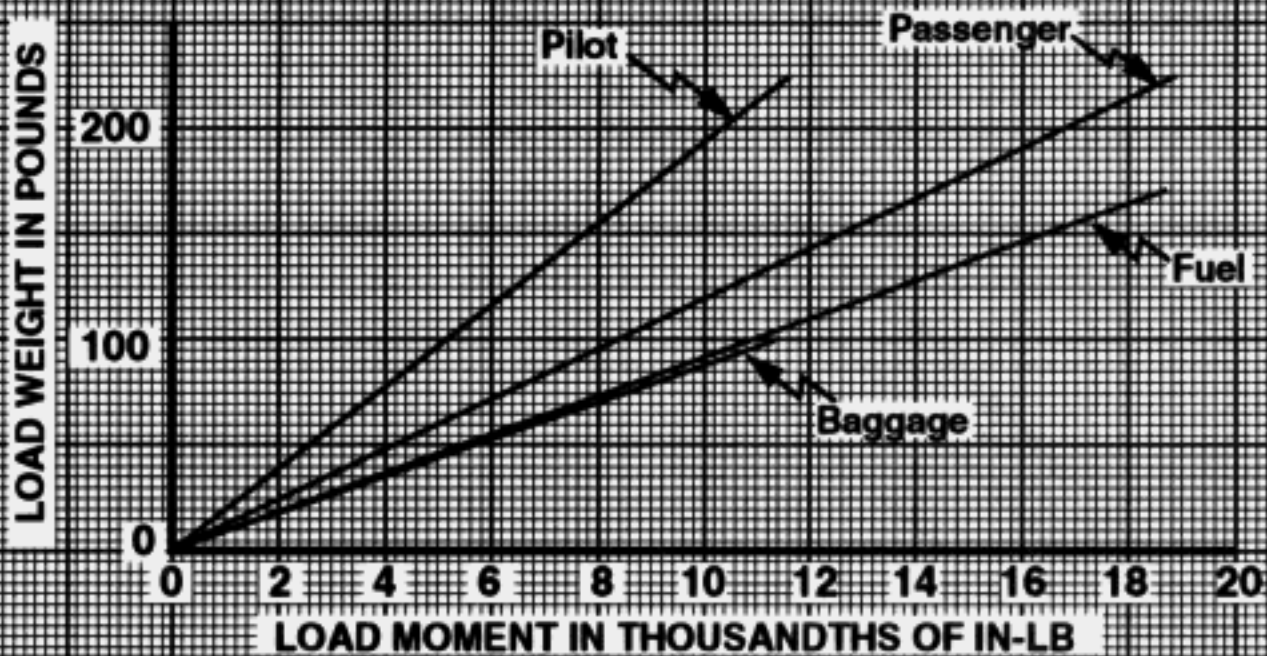
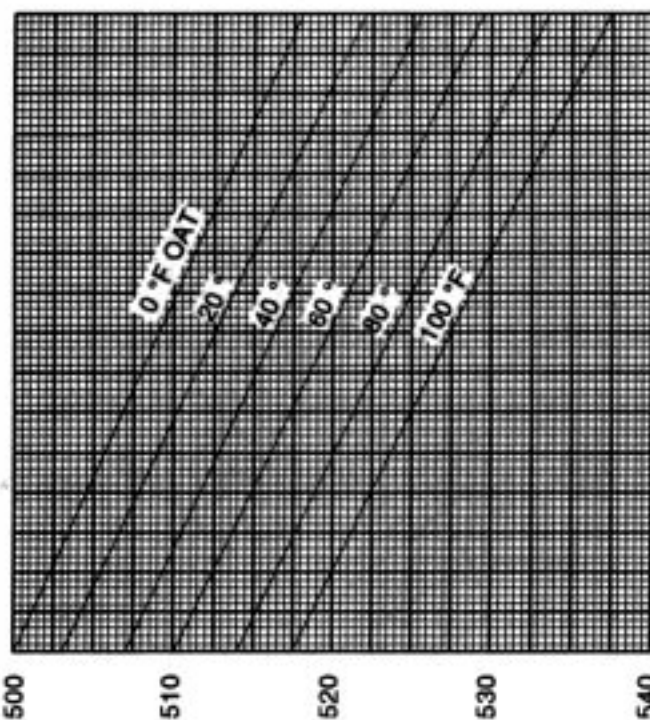


Fig 40

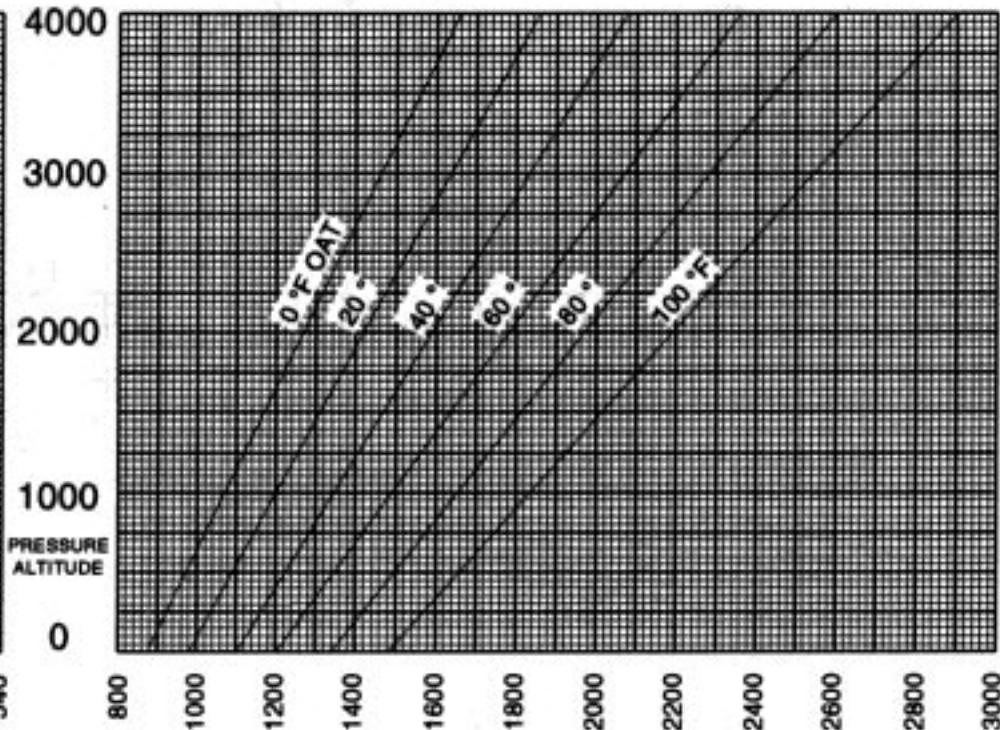
TOTAL LANDING DISTANCE TO CLEAR A 50 FT OBSTACLE

TOTAL TAKEOFF DISTANCE TO CLEAR A 50 FT OBSTACLE

WEIGHT 1500 LB - ZERO WIND - ROTOR PRE-ROTATED TO 450 RPM - SMOOTH HARD SURFACE RUNWAY



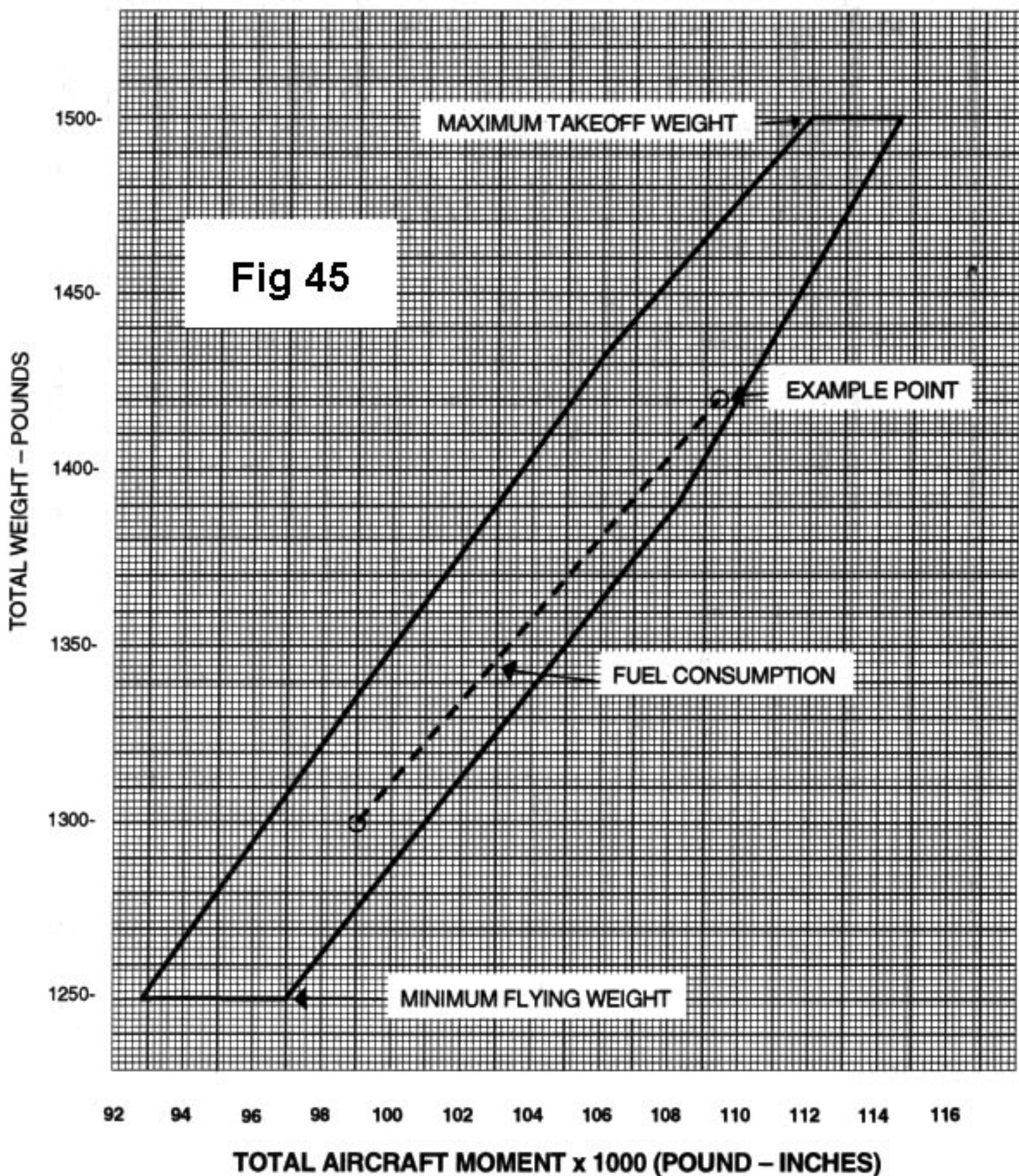
TOTAL LANDING DISTANCE



TOTAL TAKEOFF DISTANCE

CENTER OF GRAVITY MOMENT ENVELOPE

NORMAL CATEGORY



LOADING CHART

Fig 46

